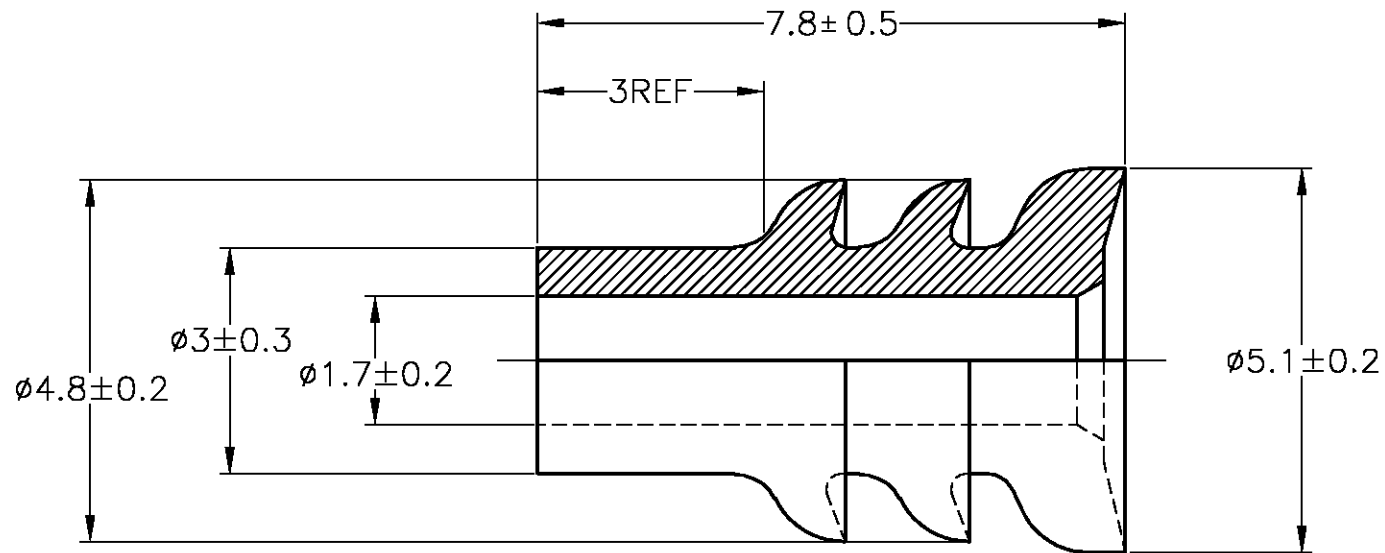


THIS DRAWING IS UNPUBLISHED. RELEASED FOR PUBLICATION  
 © COPYRIGHT BY TYCO ELECTRONICS CORPORATION. ALL RIGHTS RESERVED.

LOC J	DIST —	REVISIONS 変更					
		P	LTR	DESCRIPTION	DATE	DWN	APVD
		C1	REVISED	ECR-06-001254	11MAY06	TS	KB



△ OIL COATED TYPE  
 △ オイル塗布タイプ

NBR	灰色 (GRAY)	9-172888-2
Si	べんがら色 (BROWN)	1-172888-3
NBR	緑色 (GREEN)	172888-3
NBR △	灰色 (GRAY)	172888-2
SEE DRAWING 172888-1		172888-1
MATERIAL	COLOR	PART NUMBER

WIRE RANGE 0.5~1.25mm <sup>2</sup> (AWG#20-#16)		INSULATION DIA. 2~2.6mmφ	
THIS DRAWING IS A CONTROLLED DOCUMENT.			
DIMENSIONS: 単位: 耗 mm		TOLERANCES UNLESS OTHERWISE SPECIFIED: 一般公差	
		0 PLC	± -
		1 PLC	± -
MATERIAL 材料 SEE TABLE		2 PLC	± -
		3 PLC	± -
		4 PLC	± -
		ANGLES	± -
FINISH 仕上		-	
DWN T.SHINOHARA		11MAY06	
CHK K.BETSUI		11MAY06	
APVD K.BETSUI		11MAY06	
PRODUCT SPEC 製品規格		-	
APPLICATION SPEC 取付適用規格		-	
WEIGHT		-	
CUSTOMER DRAWING		-	
SIZE A3	CAGE CODE 00779	DRAWING NO 番号 C-172888	RESTRICTED TO -
SCALE 尺度 10:1		SHEET 1 OF 1	REV C1

**tyco Electronics** Tyco Electronics AMP K.K.  
Kawasaki, Japan

NAME  
名称  
070 TYPE RUBBER PLUG